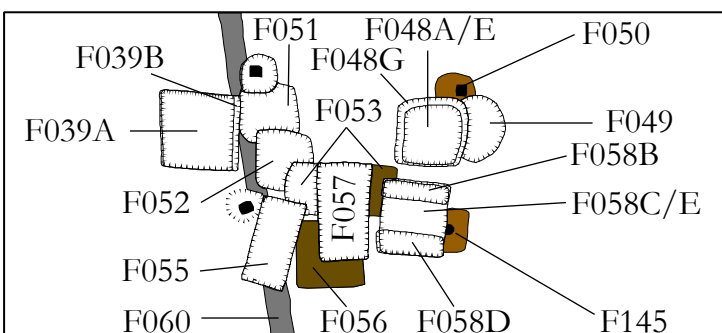
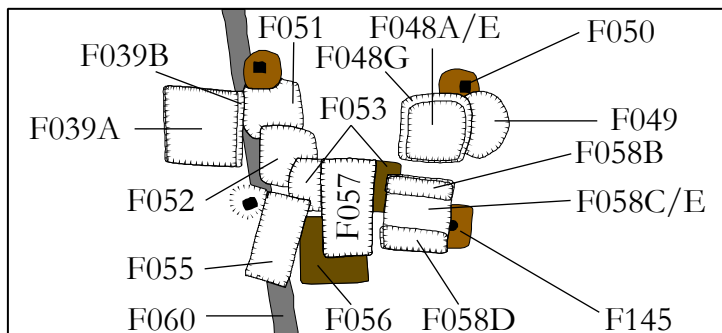
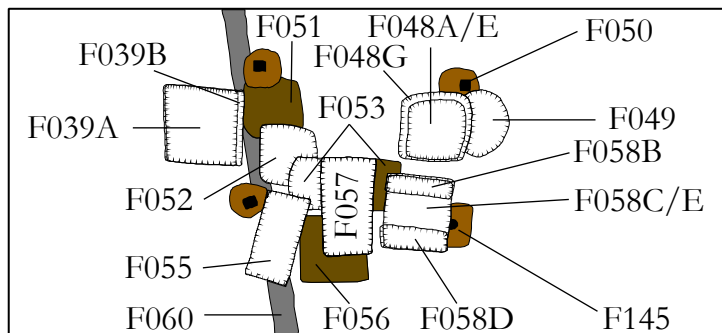
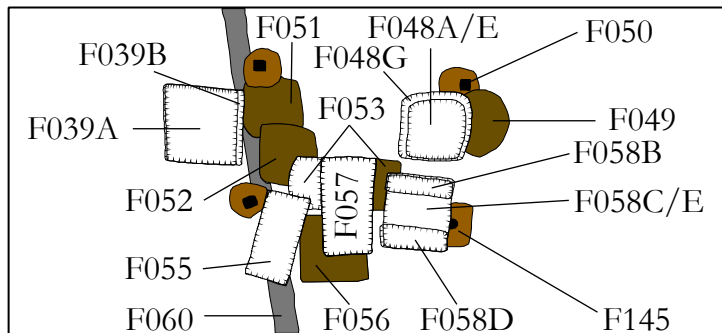
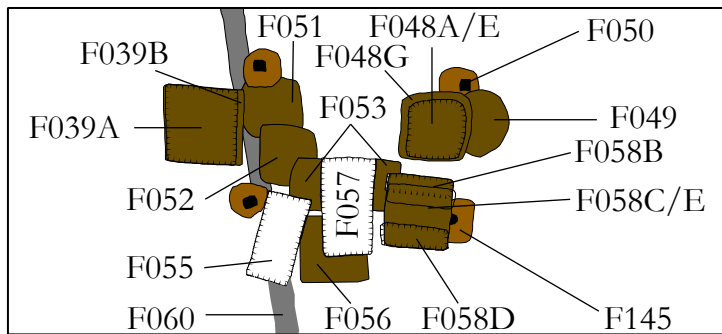
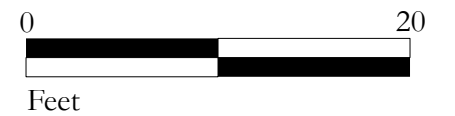
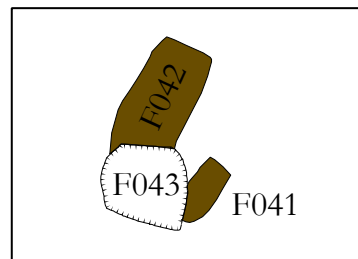



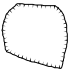


### Structure 50 Pit Complex



### Structure 40 Pit Complex



-  = Subfloor Pit
-  = Posthole/Mold
-  = Misc. Feature
-  = Feature Cut
- F057 = Feature Number

**DAACS**  
www.daacs.org

Created by: Jesse Sawyer

Date: 25 July 2005